



TAMEO Kits



TMK 385

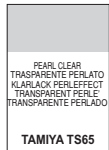
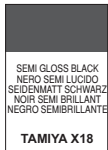
FERRARI F60 BELGIAN G.P. 2009

www.tameokits.com

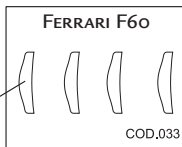
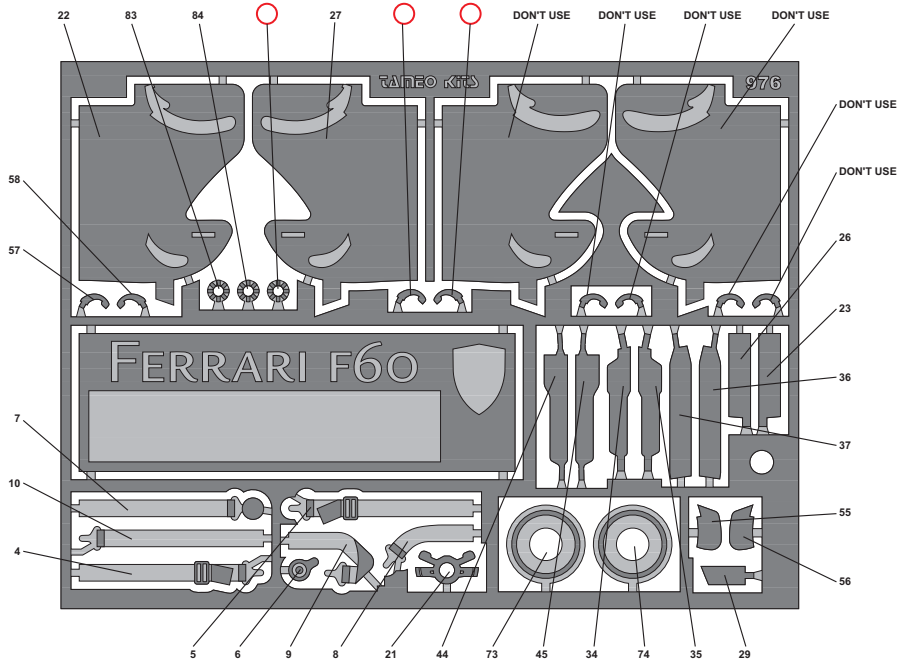
Per politica aziendale e in ottemperanza alla normativa applicabile, l'automodello contenuto nella confezione è privo di decalcomanie e adesivi riproductori loghi e marchi di proprietà di produttori del tabacco.
In compliance with company policy and applicable law provisions, the scale car model included in the packaging does not bear any decals and stickers reproducing logos and brands owned by tobacco producers.



Colour conversion - Conversione colori - Farbenumwandlung Conversion de couleurs - Colores conversiónados



Photoetcheds - Fotoincisioni - Fotogeazetz Photogravures - Fotograbado



○ Spare parts
Pezzi di ricambio
Pièces de rechange
Ersatzteile
Piezas de repuesto



TAMEO KITS srl

Via Valle, 111 - P.O. Box 61
17022 BORGIO VEREZZI SV ITALY
Tel. 39 019 - 615.250 Fax. 39 019 - 615.310

website www.tameokits.com
e-mail sales@tameokits.com
e-mail technical@tameokits.com

Ferrari

OFFICIAL LICENSED PRODUCT

Produced under license of Ferrari SpA.
FERRARI, the PRANCING HORSE device, all associated logos and distinctive designs are trademarks of Ferrari SpA.
The body designs of the Ferrari cars are protected as Ferrari property under design, trademark and trade dress regulations.

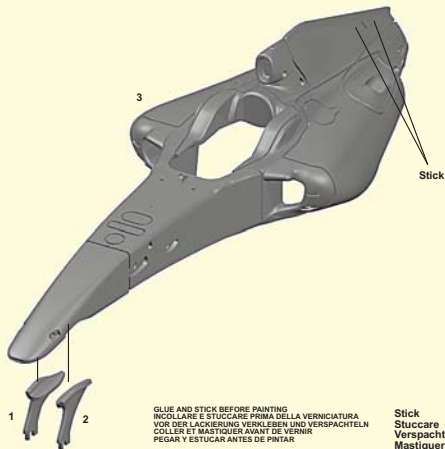
Made in Italy. Modello per collezionisti in scala 1/43. Vietata la vendita ai minori di 14 anni. Nocivo per ingestione. Conservare fuori dalla portata dei bambini. Tameo Kits declina ogni responsabilità per un uso improprio del prodotto.

Made in Italy. Collector 1/43 Scale Models. Not for sale to persons under 14 years of age. Dangerous if swallowed. Keep out of reach of children. Tameo Kits not held responsible for any damage or injury resulting from improper use of the product.

Made in Italy. Modèle pour collectionneurs échelle 1/43. Vente interdite aux enfants de moins de 14 ans. Dangereux si avalé. Conserver hors de la portée des enfants. Tameo Kits décline toute responsabilité dans le cas de dommages dérivants de l'usage non approprié du produit.

Made in Italy. Sammlermodell im Maßstab 1/43. Verkauf an Jugendliche unter 14 Jahren verboten. Schädlich bei Verschlucken. Tameo Kits lehnt jede Verantwortung bei unsachgemäßer Benutzung des Produktes ab.

Hecho en Italia. Colección de modelos a escala 1/43. Prohibida la venta a menores de 14 años. No comestible. Mantener fuera del alcance e de los niños. Tameo Kits no se hace responsable de los daños causados por el uso incorrecto de este producto.

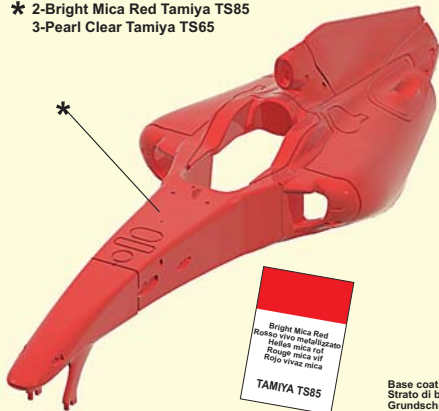
1

GLUE AND STICK BEFORE PAINTING
 NICCOLARE E STUCCARE PRIMA DELLA VERNICIATURA
 VOR DER LACKIERUNG VERKLEBEN UND VERSPACHTELN
 COLLER ET MASTIQUER AVANT DE VERNIR
 PEGAR Y ESTUCAR ANTES DE PINTAR

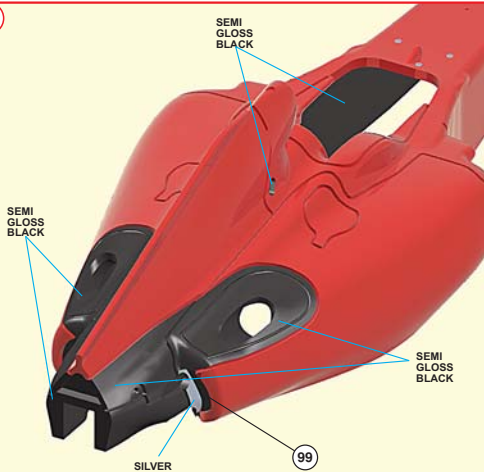
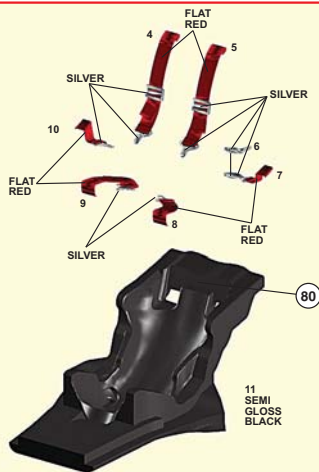
Stick
 Stuccare
 Verspachteln
 Mastiquer
 Estucar

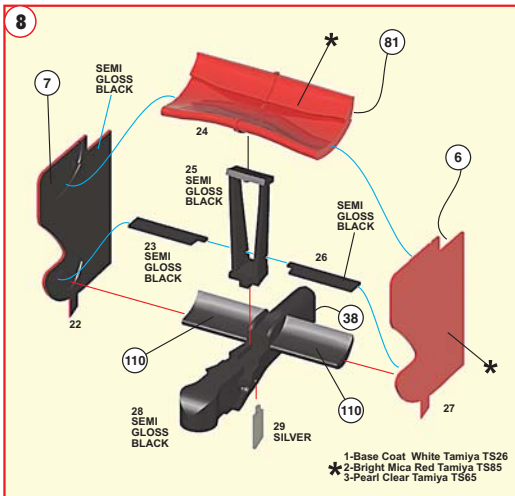
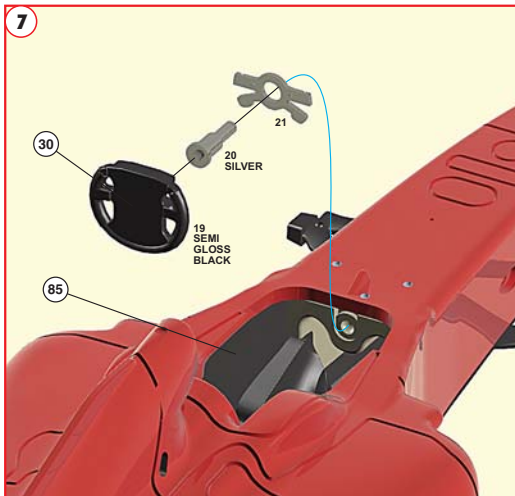
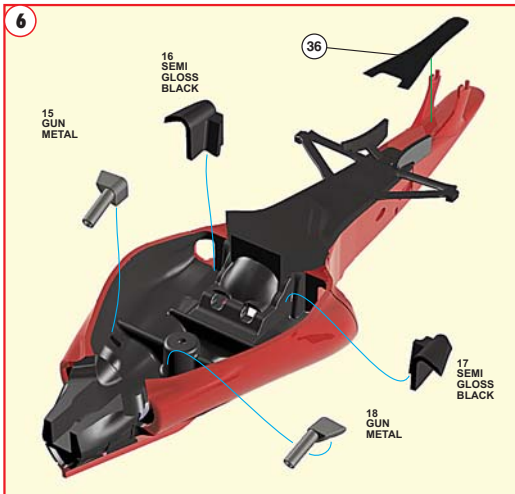
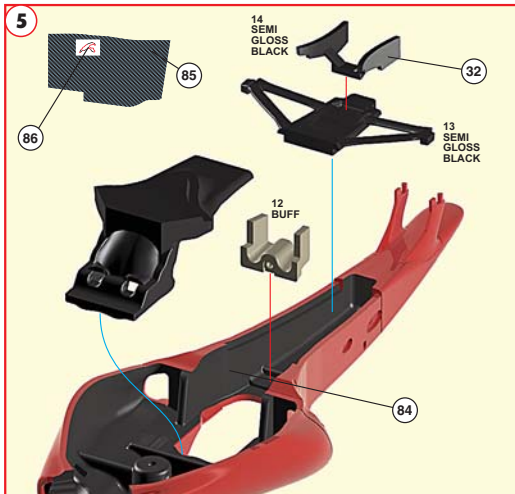
2

- 1-Base Coat White Tamiya TS26
- * 2-Bright Mica Red Tamiya TS85
- 3-Pearl Clear Tamiya TS65

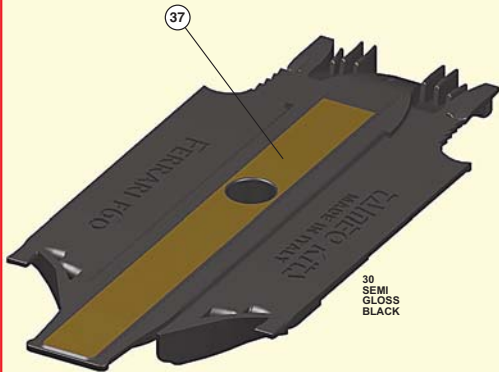
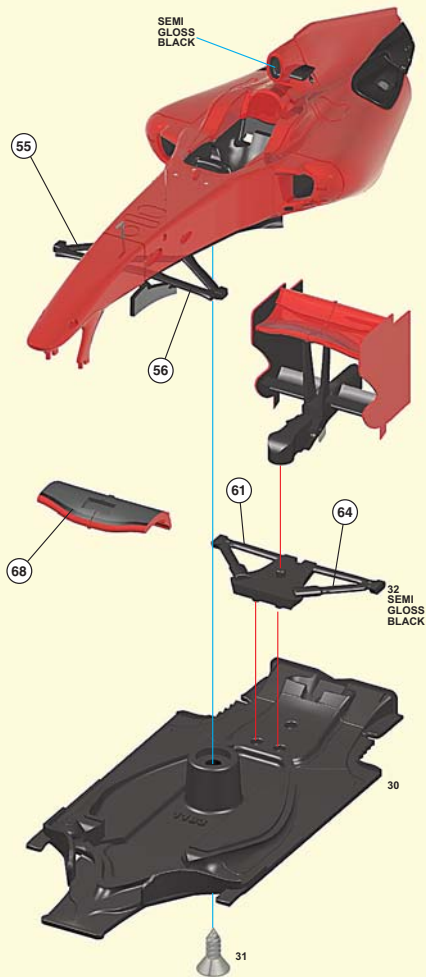
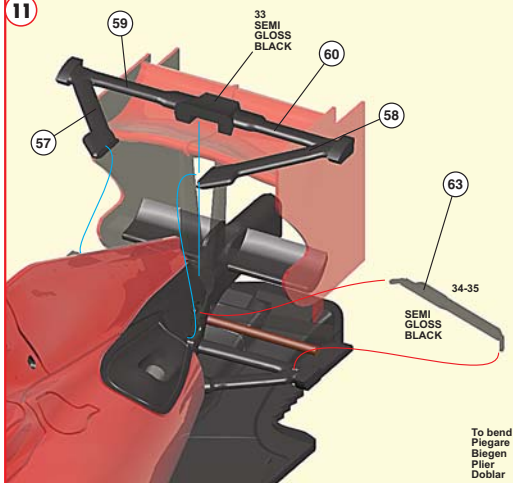
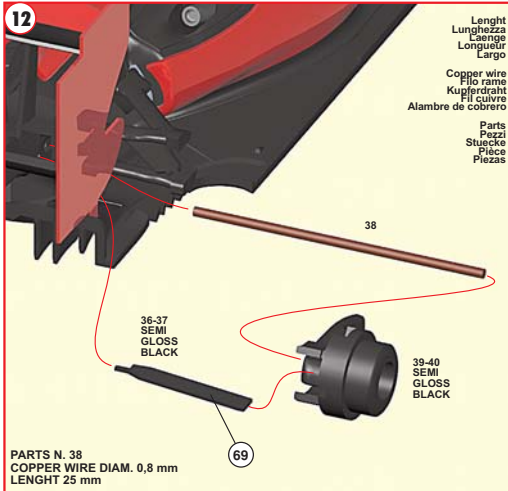


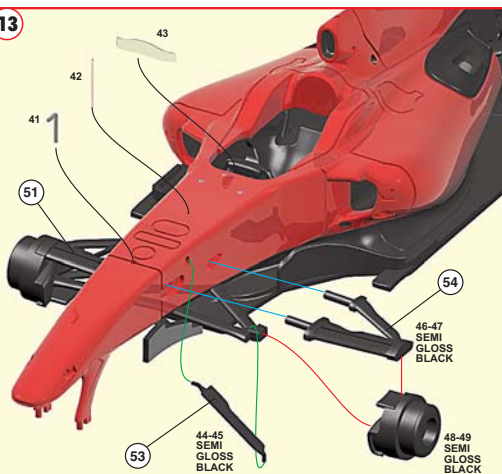
Base coat
 Strato di base
 Grundschrift
 Couche de base
 Capa de base

**3****4**

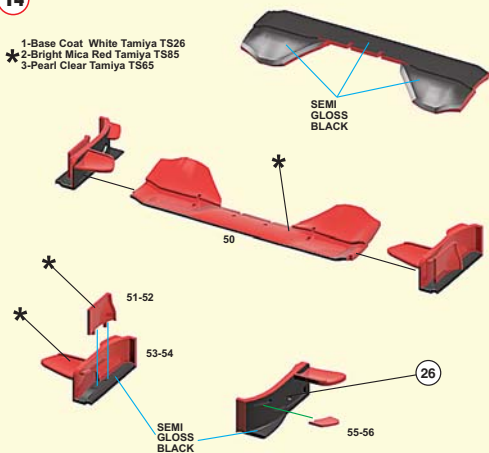
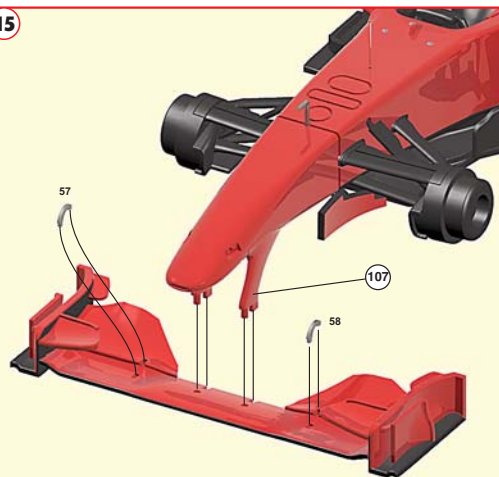
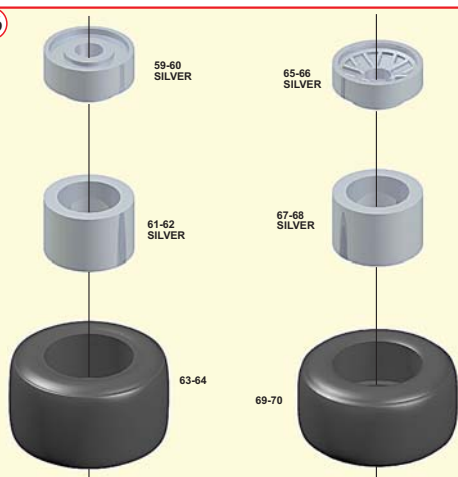


1-Base Coat White Tamiya TS26
 *2-Bright Mica Red Tamiya TS85
 3-Pearl Clear Tamiya TS65

9**10****11****12**

13**14**

- 1-Base Coat White Tamiya TS26
- * 2-Bright Mica Red Tamiya TS65
- 3-Pearl Clear Tamiya TS65

**15****16**



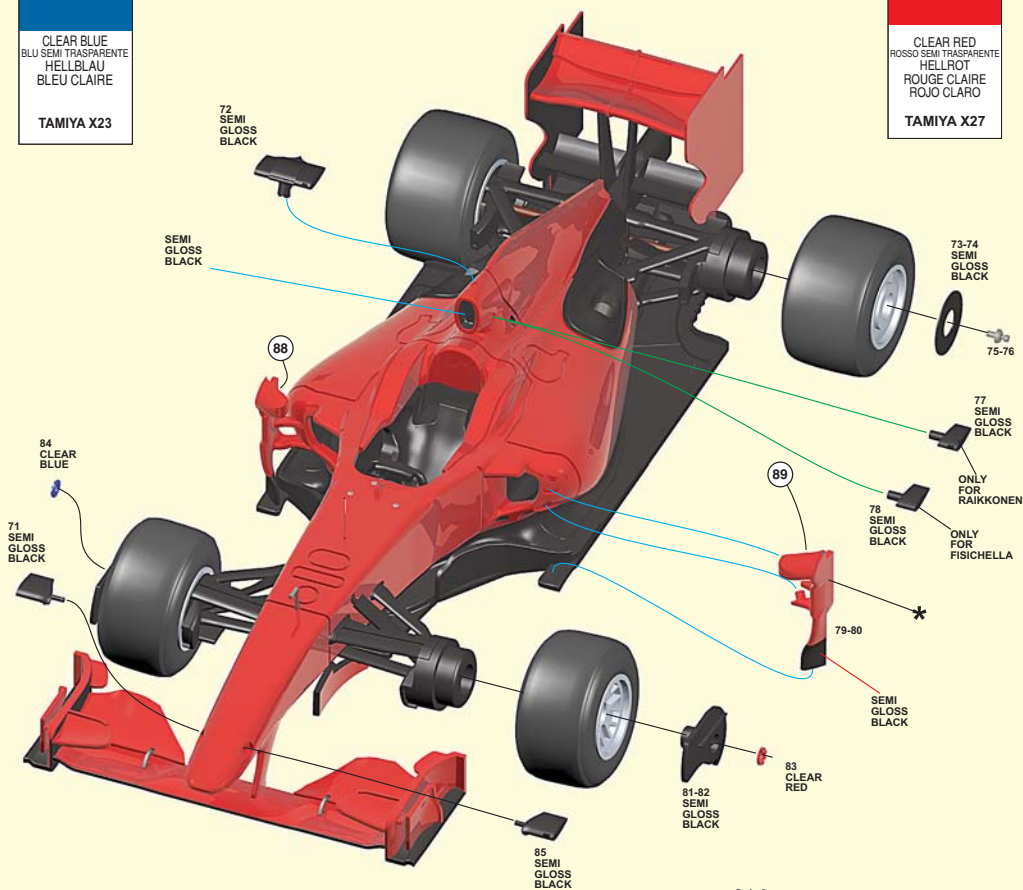
17

CLEAR BLUE
BLU SEMI TRASPARENTE
HELLBLAU
BLEU CLAIRE

TAMIYA X23

CLEAR RED
ROSSO SEMI TRASPARENTE
HELLROT
ROUGE CLAIR
ROJO CLARO

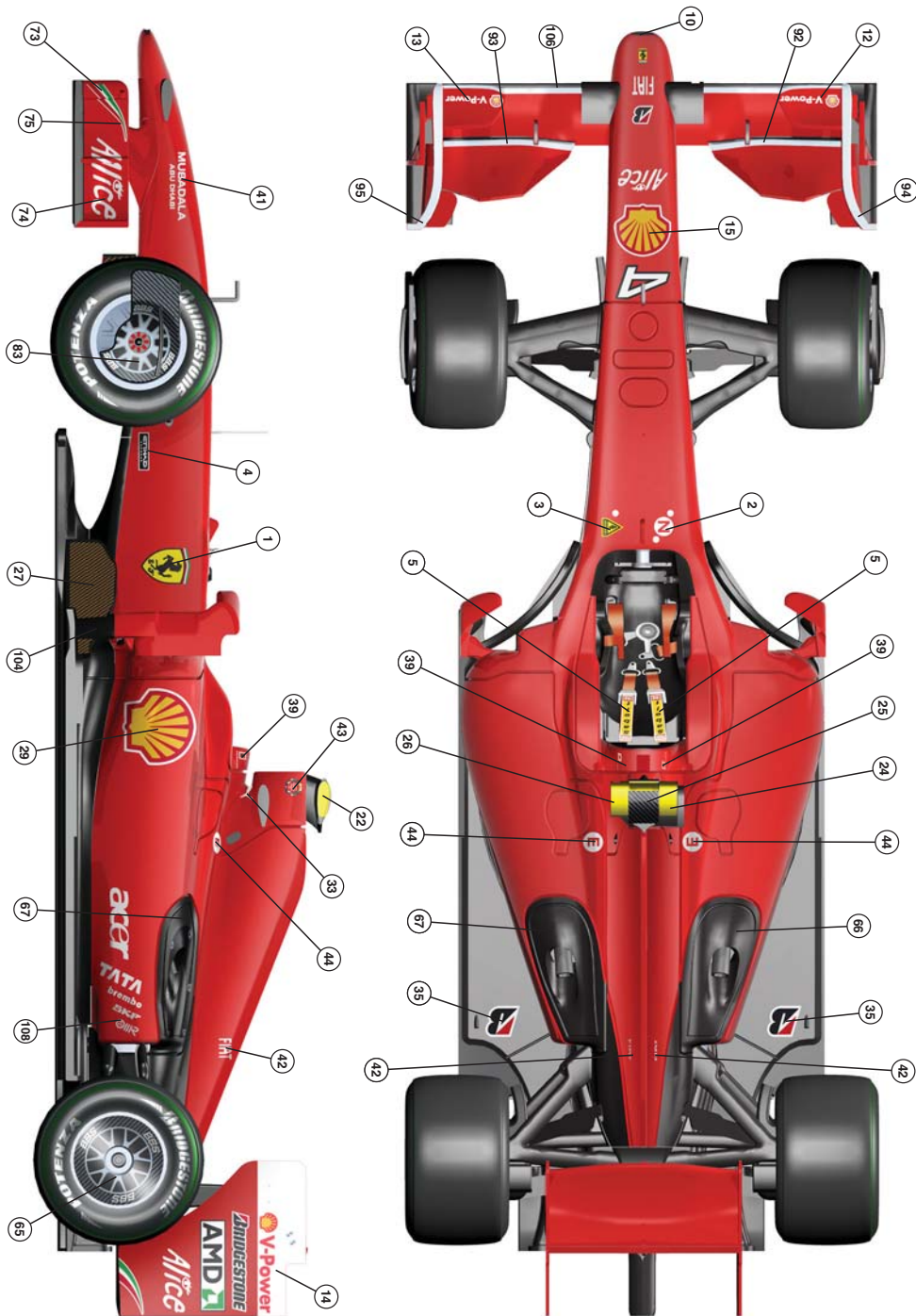
TAMIYA X27



Only for
Solo per
Nur fuer
Seulement pour
Solo para

1-Base Coat White Tamiya TS26
2-Bright Mica Red Tamiya TS85
3-Pearl Clear Tamiya TS65

TMK 385 FERRARI F60 BELGIAN G.P. 2009



4 - K. Raikkonen

1st



3 - L. Badoer

14th